

DN 15 - 50			
PN 40			
	C.S.	S.S.	Low temp.
Tmin.	-10°C	-200°C	-50°C
Tmax.	+400°C	+400°C	+300°C

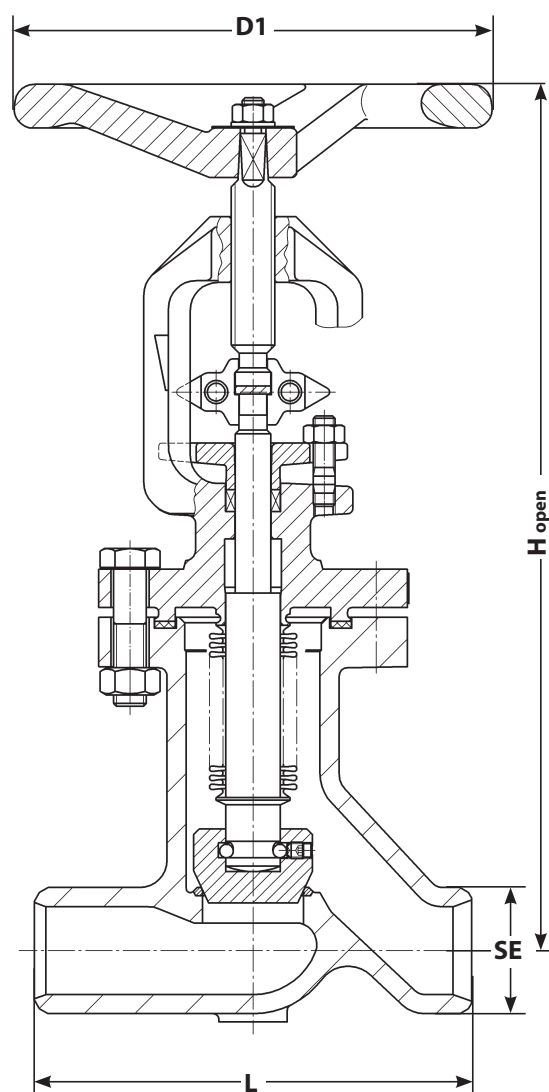
Permissible working pressure acc. EN 1092 - Part 1
Max. differential pressure acc. EN 13709
Terms of delivery DIN 3230/EN 12266-1
Face to face dimension acc. EN 12982

Available on request :

Special corrosion resistant materials for:
 Complete valve - Bellows - Trim
 Soft sealing and regulating disc
 Welded bonnet
 Heating jacket

Detailed information and more alternatives are given in the appendix.

Component	Material		
	C.S.	S.S.	Low temp.
	11.3-G-SE	11.3-G-SE-A4	11.3-G-SE-TT
Body	1.0619/1.0460	1.4408/1.4571	1.1138/1.0488
Body seat	1.4370	Stellite 21	1.4370
Bonnet	1.0619	1.4408	1.1138
Disc	1.4021	1.4571	1.4571
Disc surface	1.4021	Stellite 6	Stellite 6
Bellows	1.4571	1.4571	1.4571
Bonnet gasket		1.4571/graphite	
Bolts	A2/70	A2/70	A2/70
Nuts	A2/70	A2/70	A2/70
Gland packing		Pure graphite	
Gland	1.0420	1.4408	1.4408
Stem-upper part	1.4122	1.4122	1.4122
Stem-lower part	1.4301	1.4571	1.4301
Handwheel	0.6020	0.6020	0.6020



DN	SE [mm]	L [mm]	H _{open} [mm]	D1 [mm]	G [kg]
15	21,3*2,0	130	285	150	6
20	26,9*2,3	130	285	150	6
25	33,7*2,6	130	285	150	6
32	42,4*2,6	160	335	175	9
40	48,3*2,6	180	340	175	10
50	60,3*3,2	210	360	200	12

Bellows sealed globe valve, straight type, with butt welding ends acc. EN 12627; with roll-formed stem screw thread and burnished shaft, coupled stem. Multiplewall liquid contacted bellows made of stainless steel, with anti torque device, tested for 10.000 cycles, metal back seat, safety stuffing box packing made of pure graphite, grooved bonnet gasket made of stainless steel 1.4571 with a coating of pure graphite on both sides, housed in a tongue and grooved flange.

Carbon steel: Body made of cast/forged material 1.0619/1.0460, seat hardfaced with stainless steel 1.4370, disc with conical plug made of chrome steel 1.4021, vacuum hardened.

Stainless steel: Body made of cast/forged material 1.4408/1.4571, seat hardfaced with stellite 21, disc with conical plug made of s.s. 1.4571, sealing surface hardfaced with stellite 6.

Low temperature steel: Body made of cast/forged material 1.1138/1.0488, seat hardfaced with stainless steel 1.4370, disc with conical plug made of s.s. 1.4571, sealing surface hardfaced with stellite 6.

BELLOWS SEALED GLOBE VALVE, BUTTWELD ENDS

11.3-G-SE

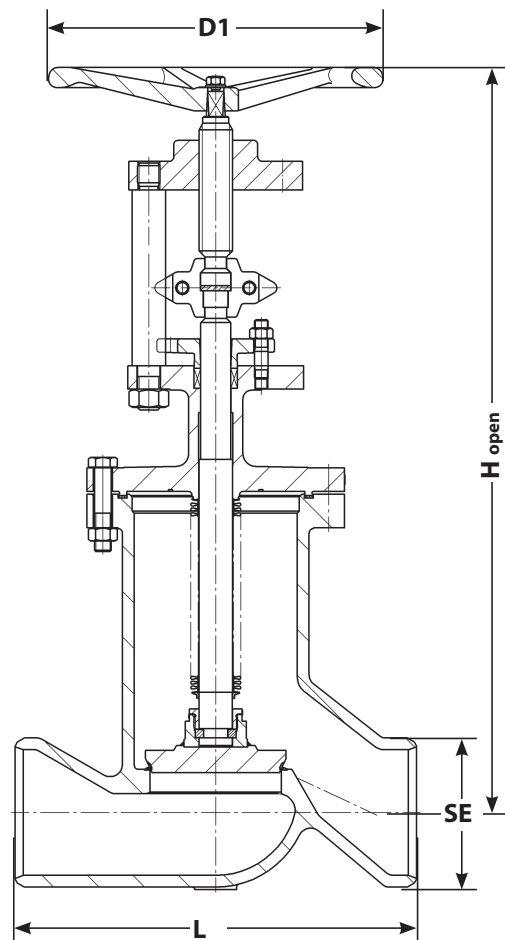
DN 65 - 400			
PN 40			
	C.S.	S.S.	Low temp.
Tmin.	-10°C	-200°C	-50°C
Tmax.	+400°C	+400°C	+300°C

Permissible working pressure acc. EN 1092 - Part 1
Max. differential pressure acc. EN 13709
Terms of delivery DIN 3230/EN 12266-1
Face to face dimension acc. EN 12982

Available on request :

Special corrosion resistant materials for:
 Complete valve - Bellows - Trim
 Soft sealing and regulating disc
 Welded bonnet
 Heating jacket

Detailed information and more alternatives are given in the appendix.



Component	Material		
	C.S.	S.S.	Low temp.
	11.3-G-SE	11.3-G-SE-A4	11.3-G-SE-TT
Body	1.0619	1.4408	1.1138
Body seat	1.4370	Stellite 21	1.4370
Bonnet	1.0619	1.4408	1.1138
Disc	1.4021/1.0460	1.4571	1.4571/1.0566
Disc surface	1.4021/1.4009	Stellite 6	Stellite 6
Bellows	1.4571	1.4571	1.4571
Bonnet gasket		1.4571/graphite	
Bolts	A2/70	A2/70	A2/70
Nuts	A2/70	A2/70	A2/70
Gland packing		Pure graphite	
Gland	1.0420	1.4408	1.4408
Stem-upper part	1.4122	1.4122	1.4122
Stem-lower part	1.4301	1.4571	1.4301
Handwheel	0.6020	0.6020	0.6020

DN	SE [mm]	L [mm]	H _{open} [mm]	D1 [mm]	G [kg]
65	76,1*	3,6	290	460	200
80	88,9*	4,0	310	610	30
100	114,3*	5,0	350	610	38
125	139,7*	4,5	400	615	72
150	168,3*	5,6	480	945	130
200	219,1*	7,1	600	910	215
250	273,0*	8,0	730	1280	325
300	323,9*	8,0	850	1285	444
350	355,6*	8,8	980	1675	720
400	406,4*	11,0	1100	1685	890

Bellows sealed globe valve, straight type, with buttwelding ends acc. EN 12627; with roll-formed stem screw thread and burnished shaft, coupled stem. Multiplewall liquid contacted bellows made of stainless steel, with anti torque device, tested for 10.000 cycles, metal back seat, safety stuffing box packing made of pure graphite, grooved bonnet gasket made of stainless steel 1.4571 with a coating of pure graphite on both sides, housed in a tongue and grooved flange. Bonnet design DN 65 - 125 with yoke; from DN 150 and above with column and screwed flange. Stem from DN 250 and above provided with an additional guide sleeve.

Carbon steel: Body made of cast material 1.0619, seat hardfaced with stainless steel 1.4370, disc with conical plug made of chrome steel 1.4021, vacuum hardened up to DN 100; above made of 1.0460, hardfaced with 1.4009.

Stainless steel: Body made of cast material 1.4408, seat hardfaced with stellite 21, disc with conical plug made of s.s. 1.4571, sealing surface hardfaced with stellite 6.

Low temperature steel: Body made of cast material 1.1138, seat hardfaced with stainless steel 1.4370, disc with conical plug made of s.s. 1.4571, sealing surface hardfaced with stellite 6 up to DN 125; above made of 1.0566/1.0488, sealing surface hardfaced with stellite 6.

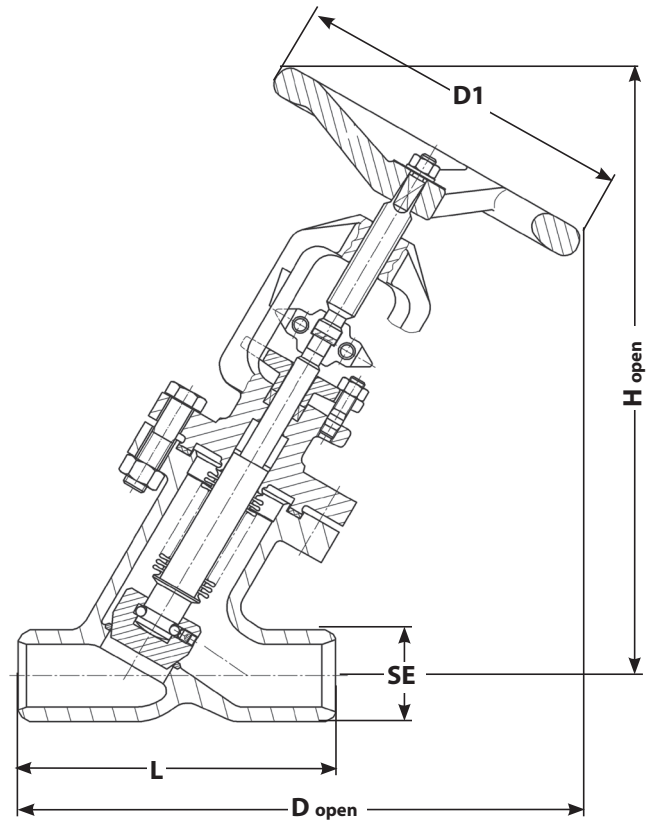
DN 15 - 50			
PN 40			
	C.S.	S.S.	Low temp.
Tmin.	-10°C	-200°C	-50°C
Tmax.	+400°C	+400°C	+300°C

Permissible working pressure acc. EN 1092 - Part 1
Max. differential pressure acc. EN 13709
Terms of delivery DIN 3230/EN 12266-1
Face to face dimension acc. EN 12982

Available on request :

- Special corrosion resistant materials for:
- Complete valve - Bellows - Trim
- Soft sealing and regulating disc
- Welded bonnet
- Heating jacket

Detailed information and more alternatives are given in the appendix.



Component	Material		
	C.S.	S.S.	Low temp.
	11.3-S-SE	11.3-S-SE-A4	11.3-S-SE-TT
Body	1.0619/1.0460	1.4408/1.4571	1.1138/1.0488
Body seat	1.4370	Stellite 21	1.4370
Bonnet	1.0619	1.4408	1.1138
Disc	1.4021	1.4571	1.4571
Disc surface	1.4021	Stellite 6	Stellite 6
Bellows	1.4571	1.4571	1.4571
Bonnet gasket		1.4571/graphite	
Bolts	A2/70	A2/70	A2/70
Nuts	A2/70	A2/70	A2/70
Gland packing		Pure graphite	
Gland	1.0420	1.4408	1.4408
Stem-upper part	1.4122	1.4122	1.4122
Stem-lower part	1.4301	1.4571	1.4301
Handwheel	0.6020	0.6020	0.6020

DN	SE [mm]	L [mm]	D _{open} [mm]	H _{open} [mm]	D1 [mm]	G [kg]
15	21,3*2,0	130	240	280	150	6
20	26,9*2,3	130	240	280	150	6
25	33,7*2,6	130	240	280	150	6
32	42,4*2,6	160	295	330	175	8
40	48,3*2,6	180	295	330	175	9
50	60,3*3,2	210	335	360	200	12

Bellows sealed globe valve, straight type, with butt welding ends acc. EN 12627; with roll-formed stem screw thread and burnished shaft, coupled stem. Multiple wall liquid contacted bellows made of stainless steel, with anti torque device, tested for 10.000 cycles, metal back seat, safety stuffing box packing made of pure graphite, grooved bonnet gasket made of stainless steel 1.4571 with a coating of pure graphite on both sides, housed in a tongue and grooved flange.

Carbon steel: Body made of cast/forged material 1.0619/1.0460, seat hardfaced with stainless steel 1.4370, disc with conical plug made of chrome steel 1.4021, vacuum hardened.

Stainless steel: Body made of cast/forged material 1.4408/1.4571, seat hardfaced with stellite 21, disc with conical plug made of s.s. 1.4571, sealing surface hardfaced with stellite 6.

Low temperature steel: Body made of cast/forged material 1.1138/1.0488, seat hardfaced with stainless steel 1.4370, disc with conical plug made of s.s. 1.4571, sealing surface hardfaced with stellite 6.

BELLOWS SEALED GLOBE VALVE, BUTTWELD ENDS

11.3-S-SE

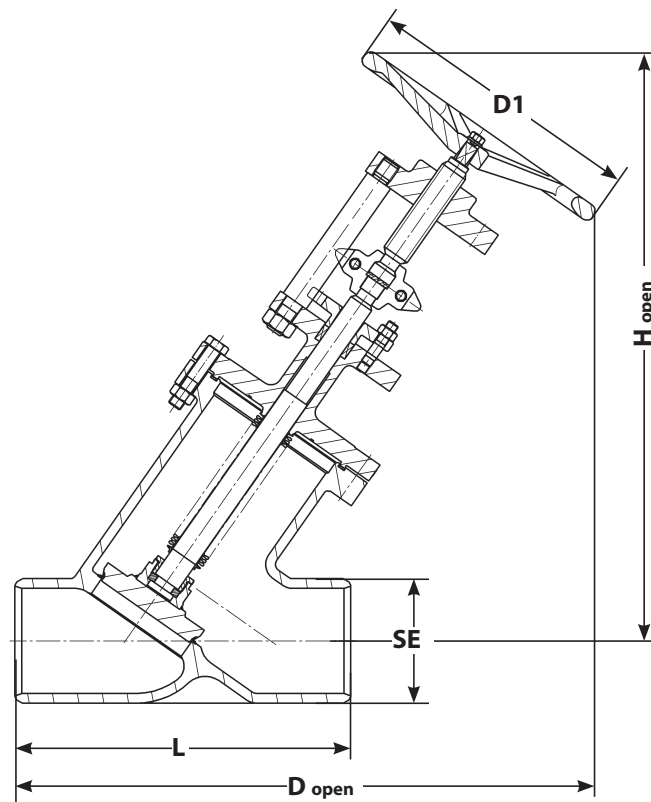
DN 65 - 400			
PN 40			
	C.S.	S.S.	Low temp.
T _{min.}	-10°C	-200°C	-50°C
T _{max.}	+400°C	+400°C	+300°C

Permissible working pressure acc. EN 1092 - Part 1
Max. differential pressure acc. EN 13709
Terms of delivery DIN 3230/EN 12266-1
Face to face dimension acc. EN 12982

Available on request :

Special corrosion resistant materials for:
 Complete valve - Bellows - Trim
 Soft sealing and regulating disc
 Welded bonnet
 Heating jacket

Detailed information and more alternatives are given in the appendix.



Component	Material		
	C.S.	S.S.	Low temp.
	11.3-S-SE	11.3-S-SE-A4	11.3-S-SE-TT
Body	1.0619	1.4408	1.1138
Body seat	1.4370	Stellite 21	1.4370
Bonnet	1.0619	1.4408	1.1138
Disc	1.4021/1.0460	1.4571	1.4571/1.0566
Disc surface	1.4021/1.4009	Stellite 6	Stellite 6
Bellows	1.4571	1.4571	1.4571
Bonnet gasket		1.4571/graphite	
Bolts	A2/70	A2/70	A2/70
Nuts	A2/70	A2/70	A2/70
Gland packing		Pure graphite	
Gland	1.0420	1.4408	1.4408
Stem-upper part	1.4122	1.4122	1.4122
Stem-lower part	1.4301	1.4571	1.4301
Handwheel	0.6020	0.6020	0.6020

DN	SE [mm]	L [mm]	D _{open} [mm]	H _{open} [mm]	D1 [mm]	G [kg]
65	76,1*	3,6	290	415	435	18
80	88,9*	4,0	310	505	580	30
100	114,3*	5,0	350	550	600	38
125	139,7*	4,5	400	565	620	72
150	168,3*	5,6	480	860	890	136
200	219,1*	7,1	600	905	905	215
250	273,0*	8,0	730	1285	1220	338
300	323,9*	8,0	850	1325	1235	444
350	355,6*	8,8	980	1740	1530	720
400	406,4*	11,0	1100	1775	1550	890

Bellows sealed globe valve, y- type, with buttwelding ends acc. EN 12627; with roll-formed stem screw thread and burnished shaft, coupled stem. Multiphase liquid contacted bellows made of stainless steel, with anti torque device, tested for 10.000 cycles, metal back seat, safety stuffing box packing made of pure graphite, grooved bonnet gasket made of stainless steel 1.4571 with a coating of pure graphite on both sides, housed in a tongue and grooved flange. Bonnet design DN 65 - 125 with yoke; from DN 150 and above with column and screwed flange. Stem from DN 250 and above provided with an additional guide sleeve.

Carbon steel: Body made of cast material 1.0619, seat hardfaced with stainless steel 1.4370, disc with conical plug made of chrome steel 1.4021, vacuum hardened up to DN 100; above made of 1.0460, hardfaced with 1.4009.

Stainless steel: Body made of cast material 1.4408, seat hardfaced with stellite 21, disc with conical plug made of s.s. 1.4571, sealing surface hardfaced with stellite 6.

Low temperature steel: Body made of cast material 1.1138, seat hardfaced with stainless steel 1.4370, disc with conical plug made of s.s. 1.4571, sealing surface hardfaced with stellite 6 up to DN 125; above made of 1.0566/1.0488, sealing surface hardfaced with stellite 6.