

Please fill in at least all the blank fields marked with *

Date :



Request form

Reactor sampling unit - 150 ml

Contact details

*Company :	<input type="text"/>	*State	<input type="text"/>
Street :	<input type="text"/>	*ZIP/City	<input type="text"/>
*Contact :	<input type="text"/>	Department :	<input type="text"/>
*E-mail	<input type="text"/>	*Phone :	<input type="text"/>

BUDGETARY QUOTE

Desired delivery date :

Characteristics of the product

1. Chemical composition :	Formula / Name	<input type="text"/>
2. *Working conditions :	*Pressure <input type="text"/>	<input type="radio"/> barg *Temperature <input type="text"/>
		<input type="radio"/> °C <input type="radio"/> °F
3. Other :	*Viscosity <input type="text"/>	<input type="radio"/> cP <input type="radio"/> mPa·s
	Solidification temperature <input type="text"/>	<input type="radio"/> °C <input type="radio"/> °F
4. Particles in suspension :	<input type="radio"/> No <input type="radio"/> Yes (specify)	Density <input type="text"/> % Size <input type="text"/> mm
5. Toxicity of the product :	<input type="radio"/> Not toxic <input type="radio"/> Low (better not to be exposed)	<input type="radio"/> High <input type="radio"/> Deadly
6. Can the product come into contact with the atmosphere ?	<input type="radio"/> Yes <input type="radio"/> No	
7. Does the product solidify when in the receptacle ?	<input type="radio"/> Yes <input type="radio"/> No	

Characteristics of the 150 ml reactor sampling unit

Remarks / Complementary informations



BIAR headquarters

BIAR SA Tel. +41 27 779 11 11
Rte Gd-St-Bernard 16 Fax +41 27 779 11 12
CH-1933 Sembrancher contact@biar.com

USA & Canada

BIAR, Inc. Tel: 225-647-4300
2506 S. Philippe Ave. Fax: 225-647-4309
Gonzales, LA 70737 sample@biar.com

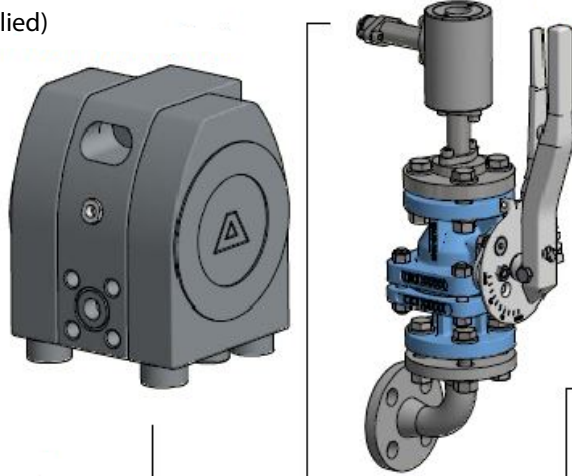
Characteristics of the 150 ml reactor sampling unit

Material of construction :

- PFA pure / PTFE pure (FDA) PFA / PTFE antistatic

Should BIAR supply a product lift system ?

- Yes (choose) : Membrane pump Venturi
 No (customer supplied)



Auxiliary valves (for vacuum, nitrogen or solvent rinse)

- 3/8" PVDF membrane valve
 1 pce 2 pces 3 pces



- 3/8" SS ball valve
 1 pce 2 pces 3 pces

Vent gas collection

- With Without

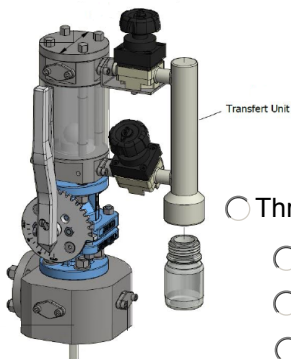
pH metering

- With (choose) : Without
 pH Standard probe
 pH Intrac probe



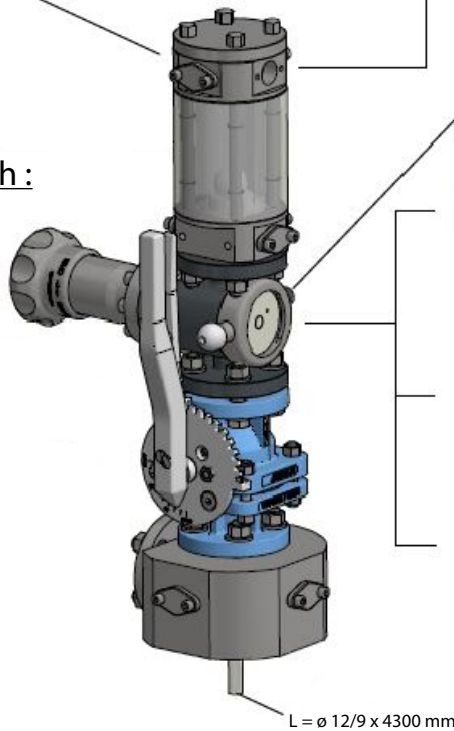
Sampling Unit coupled with :

- Biar PFA lined valve
 Transfert unit



- Thread
 GL45
 GL32
 PP28

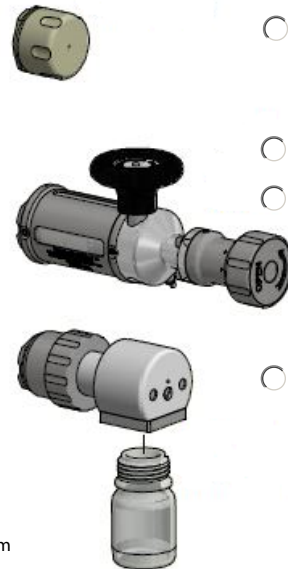
- Safety plug



L = ø 12/9 x 4300 mm

Sampling accessories

- Safety plug
 PFA lined piston injector
 SS piston injector
 With sight glass
 Without sight glass



- 90° thread adapter
 GL45
 GL32
 PP28

Flange connection

- DIN ANSI DN/Size
 PN/Class



BIAR headquarters

BIAR SA Tel. +41 27 779 11 11
 Rte Gd-St-Bernard 16 Fax +41 27 779 11 12
 CH-1933 Sembrancher contact@biar.com

USA & Canada

BIAR, Inc. Tel: 225-647-4300
 2506 S. Philippe Ave. Fax: 225-647-4309
 Gonzales, LA 70737 sample@biar.com