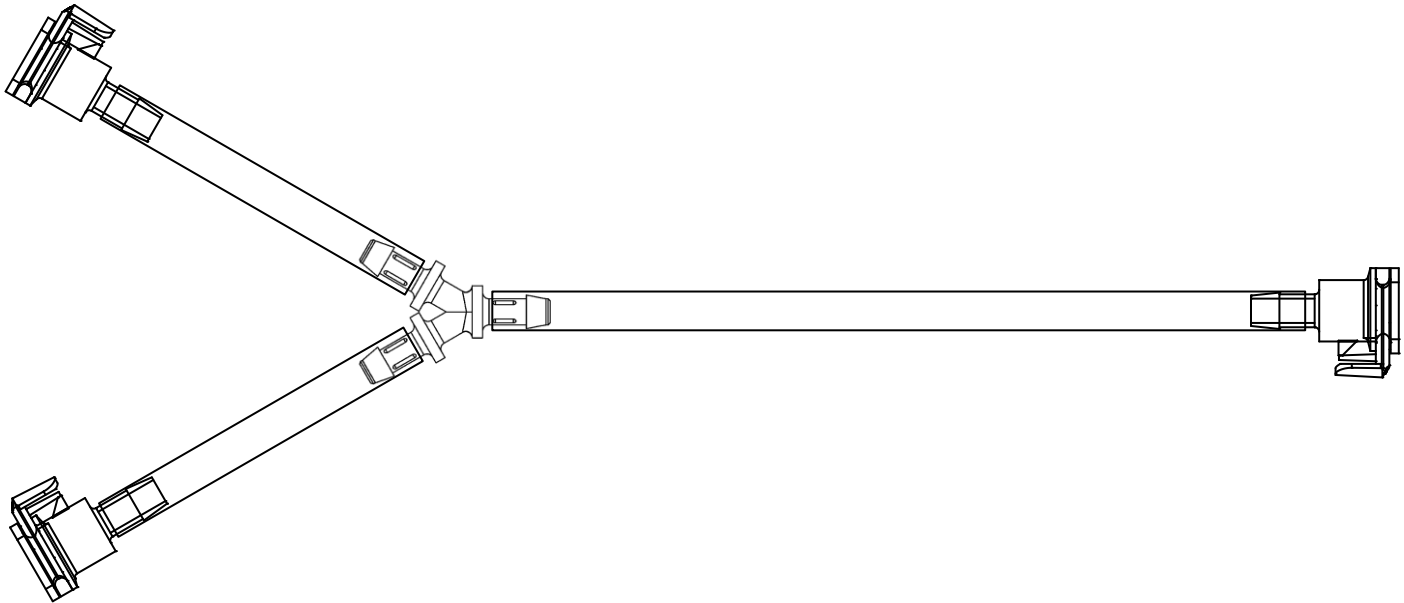


# Fluid transfer Y Quick coupler



**CUSTOMER APPROVAL  
READ & APPROVED:**

Name: \_\_\_\_\_

Date: \_\_/\_\_/\_\_

Signature: \_\_\_\_\_

**Info on Packaging & Gamma  
Irradiation**

Packaging: double bagged  
Label: on outside bag  
Gamma Irradiation: Yes, 25-40kGy

**Bill of Materials**

All connections, unless otherwise specified, are reinforced with single cable ties

This document is the property of UltraPure International B.V.. and must not be disclosed to third party without the written consent of UltraPure International B.V..This drawing represents the components only schematically to illustrate the function and/or assembly of the equipment/device and to enable the customer to check the component's completeness. The semblance of the real components may therefore deviate from the drawing