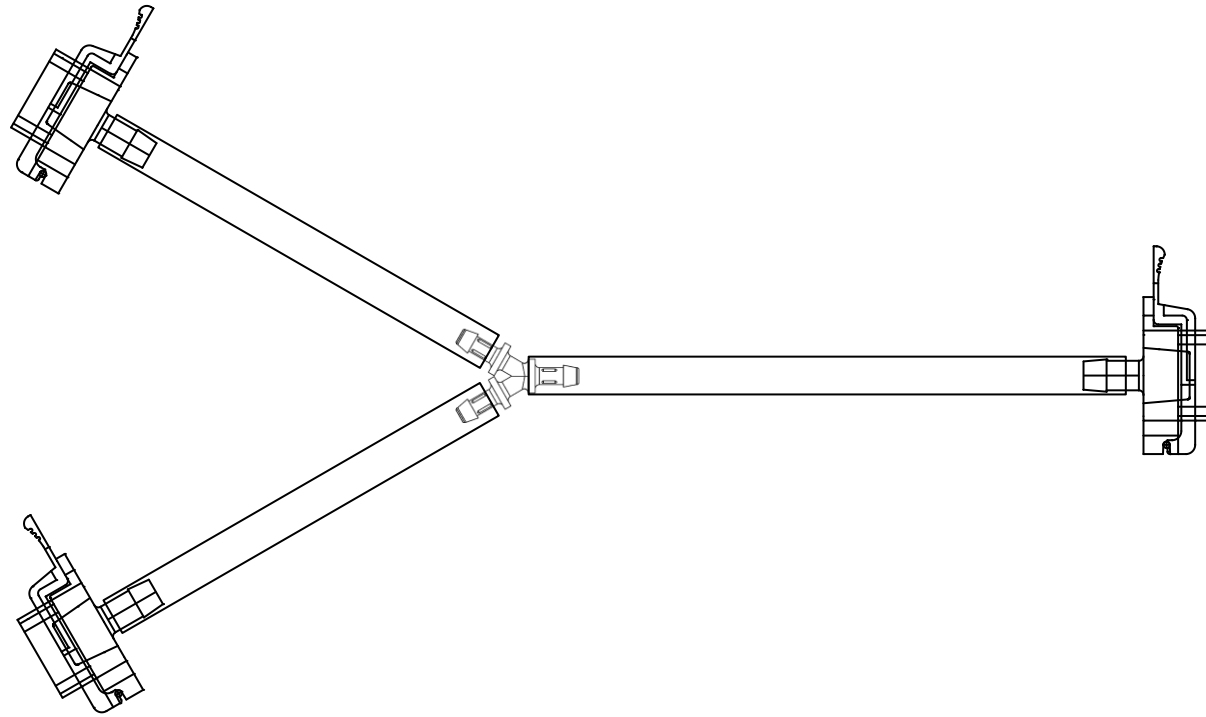


Fluid Transfer Y Sterile connector



CUSTOMER APPROVAL READ & APPROVED:

Name: _____

Date: __/__/__

Signature: _____

Info on Packaging & Gamma Irradiation

Packaging: double bagged

Label: on outside bag

Gamma Irradiation: Yes, 25-40kGy

Bill of Materials

All connections, unless otherwise specified, are reinforced with single cable ties